



12" DTH HAMMER

STENUICK12M

FEATURES

Recommended for:
 - water well drilling
 - foundations

TECHNICAL CHARACTERISTICS

Top thread: 6"5/8 REG Pin
 Outside diameter: 270 mm
 Length: 1550 mm
 Bit shank: SD12
 Pressure range: 7 to 24 bars
 Bit range: 311 to 610 mm
 Weight: 465 kg



CATEGORY

Drilling equipment

AIR CONSUMPTION

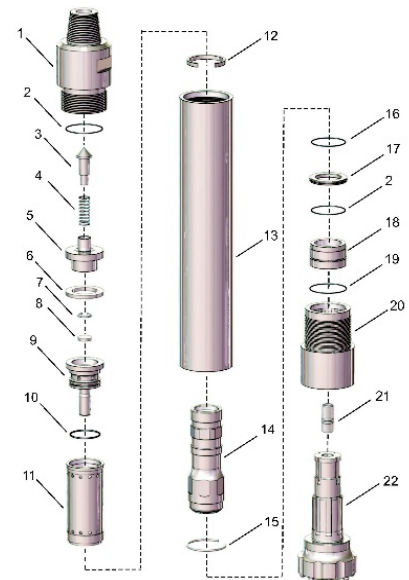
Pressure		Air consumption	
bar	psi	bar	psi
7	100	19.7	700
10	150	26.0	920
14	200	35.4	1250
17	250	48.2	1700
24	350	70.8	2500

BIT FOR STENUICK12M / SD12 / MACH120

Diameter		Bit types			Weight (kg)
mm	inch	SD12	MACH120	SD12	Weight (kg)
311	12"1/4			●	138.0
381	15"			●	208.0
444	17"1/2			●	245.0
508	20"			●	325.0
533	21"			●	343.0
559	22"			●	356.0
610	24"			●	415.0

SPARE PARTS LIST

Rep.	Reference	Designation
	STENUICK12M	12" dth hammer SD12
1	STEN12REP01	Top adaptor
2	STEN12REP02	O ring
3	STEN12REP03	NR valve
4	STEN12REP04	NR valve spring
5	STEN12REP05	NR valve housing
6	STEN12REP06	Spacer
7	STEN12REP07	Circlips
8	STEN12REP08	Plug
9	STEN12REP09	Air distributor
10	STEN12REP10	O ring
11	STEN12REP11	Liner
12	STEN12REP12	Snap ring
13	STEN12REP13	Cylinder
14	STEN12REP14	Piston
15	STEN12REP15	Snap ring
16	STEN12REP16	O ring
17	STEN12REP17	Bottom spacer
18	STEN12REP18	O ring
19	STEN12REP19	Bit retaining rings
20	STEN12REP20	Chuck
21		Foot valve
22		Bit



34, rue des Châtelliers
 BP 2803
 45028 Orléans Cedex 1
 Téléphone : 02 38 86 50 46
 Télécopie : 02 38 86 78 91
 Email : stenuick@stenuick.fr
 Site : www.stenuick.fr

IMPORTANT:

The technical characteristics can be modified without advance notice