



# 6" DTH HAMMER

**STENUICK06I**

## CATEGORY

Drilling equipment

### FEATURES

Recommended for:  
 - water well drilling  
 - geothermal  
 - foundations

### SPECIFICATIONS

Top thread: 3"1/2 REG Pin  
 Outside diameter: 139 mm  
 Length: 1150 mm  
 Bit shank: DHD360  
 (available with SD6 and QL60 shanks)  
 Pressure range: 7 to 30 bars  
 Bit range: 152 to 254 mm  
 Weight: 97 kg



### AIR CONSUMPTION

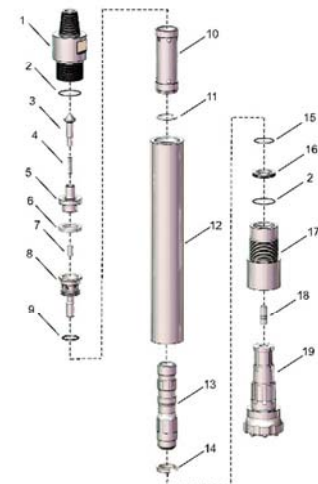
Pressure		Air consumption	
bar	psi	bar	psi
7	100	5.6	200
10	150	8.0	280
14	200	12.7	450
17	250	16.9	600
24	350	25.4	900

### BIT FOR STENUICK06I / DHD360 / COP64

Diameter		Bit types			Oversize diameter	Weight (kg)
mm	inch	●	●	●		
152	6"			●		26.0
165	6"1/2			●		27.5
171	6"3/4			●		28.0
178	7"			●		29.5
191	7"1/2			●		30.2
203	8"			●	●	36.0
216	8"1/2			●	●	37.4

### SPARE PARTS LIST

Rep.	Reference	Designation
	STENUICK06I	6" Dth hammer DHD360
1	STEN06REP01	Top adaptor
2	STEN06REP02	O ring
3	STEN06REP03	NR valve
4	STEN06REP04	NR valve spring
5	STEN06REP05	NR valve housing
6	STEN06REP06	Spacer
7	STEN06REP07	Plug
8	STEN06REP08	Air distributor
9	STEN06REP09	O ring
10	STEN06REP10	Liner
11	STEN06REP11	Snap ring
12	STEN06REP12	Cylinder
13	STEN06REP13I	Piston
14	STEN06REP14	Snap ring
15	STEN06REP15I	Bottom spacer
16	STEN06REP16I	O ring
17	STEN06REP17I	Bit retaining rings
18	STEN06REP18I	Chuck
19		Foot valve
20		Bit



34, rue des Châteaux  
 BP 2803  
 45028 Orléans Cedex 1  
 Téléphone : 02 38 86 50 46  
 Télécopie : 02 38 86 78 91  
 Email : [stenuick@stenuick.fr](mailto:stenuick@stenuick.fr)  
 Site : [www.stenuick.fr](http://www.stenuick.fr)

### IMPORTANT:

The technical characteristics can be modified without advance notice



# 6" DTH HAMMER

## STENUICK06M

### CATEGORY

Drilling equipment

### FEATURES

Recommended for:  
 - water well drilling  
 - geothermal  
 - foundations

### SPECIFICATIONS

Top thread: 3"1/2 REG Pin  
 Outside diameter: 139 mm  
 Length: 1150 mm  
 Bit shank: SD6  
 (available with DHD360 and QL60 shanks)  
 Pressure range: 7 to 30 bars  
 Bit range: 152 to 254 mm  
 Weight: 97 kg



### AIR CONSUMPTION

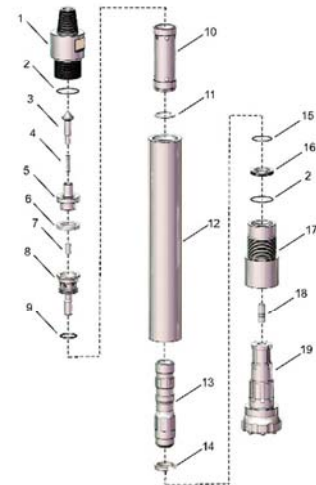
Pressure		Air consumption	
bar	psi	bar	psi
7	100	5.6	200
10	150	8.0	280
14	200	12.7	450
17	250	16.9	600
24	350	25.4	900

### BIT FOR STENUICK06M / SD6 / COP64M

Diameter		Bit types			Oversize diameter	Weight (kg)
mm	inch	Image 1	Image 2	Image 3		
152	6"			●		26.0
165	6"1/2			●		27.5
171	6"3/4			●		28.0
178	7"			●		29.5
191	7"1/2			●		30.2
203	8"			●	●	36.0
216	8"1/2			●	●	37.4
219	8"5/8			●	●	37.8
254	10"			●	●	50.0

### SPARE PARTS LIST

Rep.	Reference	Designation
	STENUICK06M	6" Dth hammer SD6
1	STEN06REP01	Top adaptor
2	STEN06REP02	O ring
3	STEN06REP03	NR valve
4	STEN06REP04	NR valve spring
5	STEN06REP05	NR valve housing
6	STEN06REP06	Spacer
7	STEN06REP07	Plug
8	STEN06REP08	Air distributor
9	STEN06REP09	O ring
10	STEN06REP10	Liner
11	STEN06REP11	Snap ring
12	STEN06REP12	Cylinder
13	STEN06REP13	Piston
14	STEN06REP14	Snap ring
15	STEN06REP15	O ring
16	STEN06REP16	Bit retaining rings
17	STEN06REP17	Chuck
18		Foot valve
19		Bit



34, rue des Châtelliers  
 BP 2803  
 45028 Orléans Cedex 1  
 Téléphone : 02 38 86 50 46  
 Télécopie : 02 38 86 78 91  
 Email : [stenuick@stenuick.fr](mailto:stenuick@stenuick.fr)  
 Site : [www.stenuick.fr](http://www.stenuick.fr)

### IMPORTANT:

The technical characteristics can be modified without advance notice



# 6" DTH HAMMER

## STENUICK06QL

### CATEGORY

Drilling equipment

### FEATURES

Recommended for:  
 - water well drilling  
 - geothermal  
 - civil engineering

### TECHNICAL CHARACTERISTICS

Top thread: 3"1/2 REG Pin  
 Outside diameter: 139 mm  
 Length: 1150 mm  
 Bit shank: QL60  
 (available with SD6 and DHD360 shanks)  
 Pressure range: 7 to 24 bars  
 Bit range: 152 to 254 mm  
 Weight: 97 kg



### AIR CONSUMPTION

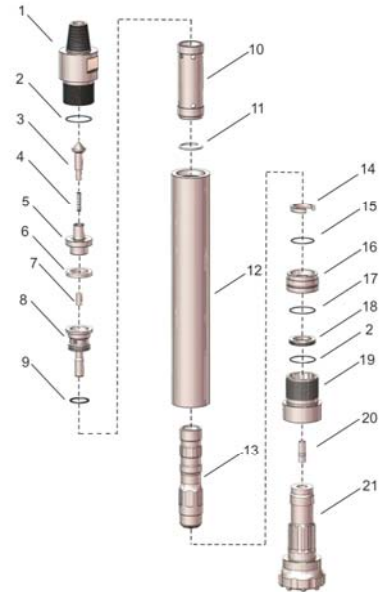
Pressure		Air consumption	
bar	psi	m3/min	cfm
7	100	5.6	200
10	150	8.0	280
14	200	12.7	450
17	250	16.9	600
24	350	25.4	900

### BIT FOR STENUICK06QL / QL60

Diameter		Bit			Oversize diameter	Weight (kg)
mm	inch					
165	6"1/2			•		27.5
203	8"			•	•	36.0

### SPARE PARTS LIST

Rep.	Reference	Designation
	STENUICK06QL	6" dth hammer QL60
1	STEN06REP01	Top adaptor
2	STEN06REP02	O ring
3	STEN06REP03	NR valve
4	STEN06REP04	NR valve spring
5	STEN06REP05	NR valve housing
6	STEN06REP06	Spacer
7	STEN06REP07	Plug
8	STEN06REP08	Air distributor
9	STEN06REP09	O ring
10	STEN06REP10	Liner
11	STEN06REP11	Snap ring
12	STEN06REP12	Cylinder
13	STEN06REP13Q	Piston
14	STEN06REP14	Snap ring
15	STEN06REP15Q	O ring
16	STEN06REP16Q	Bottom spacer
17	STEN06REP17	O ring
18	STEN06REP18Q	Bit retaining rings
19	STEN06REP19Q	Chuck
20		Foot valve
21		Bit



34, rue des Châtelliers  
 BP 2803  
 45028 Orléans Cedex 1  
 Téléphone : 02 38 86 50 46  
 Télécopie : 02 38 86 78 91  
 Email : [stenuick@stenuick.fr](mailto:stenuick@stenuick.fr)  
 Site : [www.stenuick.fr](http://www.stenuick.fr)

### IMPORTANT:

The technical characteristics can be modified without advance notice